

केन्द्रीय विद्युत अनुसंधान संस्थान
CENTRAL POWER RESEARCH INSTITUTE
स्विचगिअर परिक्षण तथा विकास केन्द्र
Switchgear Testing & Development Station,
गोविन्दपुरा, Govindpura, भोपाल BHOPAL- 462 023

तिब्र डाक द्वारा/ BY SPEED POST

दूरभाष / Telephone : 0755 - 2586944

फैक्स नं./Fax No. : 0755 - 2587774

संदर्भ क्र. एस.टी.डी.एस./एसटीएल/
Reference No. STDS/STL(16)/

/ 401

दिनांक : 25.05.2016

Date : _____

प्रति,
में. प्रदिप पावरटेक प्राय. लिमिटेड,
12, जनरल बैंक चेंबर, मुनिसिपल मार्केट के सामने,
सी.जी. रोड, नवरंगपुरा, अहमदाबाद-380 009

To,
M/s Pradip Powertech Pvt. Ltd.,
12, General Bank Chamber, C.G.Road
Opp. Municipal Market, Navrangpura,
AHMEDABAD -380 009

विषय :- अंतिम परीक्षण रिपोर्ट का प्रेषण क्र. एसटीएल/

Sub :- Despatch of Final Test Report No. STL/2015/1684,1685

महोदय/Dear Sir,

कृपया इस पत्र के साथ हमारी प्रयोगशाला में (1) HV dry power frequency withstand test (2) Degree of Protection IP-4X दिनांक 22/12/2015 एवं 23/12/2015 को किये गये परीक्षण की उपर्युक्त दर्शायी गयी अंतिम परिक्षण रिपोर्ट संलग्न है ।

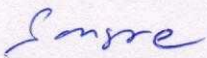
Please find enclosed herewith the above mentioned final test report for the test conducted on _____ at our Laboratory during the month.

अगर इस रिपोर्ट में कोई विसंगति है तो इसकी सूचना हमें रिपोर्ट जारी करने के 45 दिन के अन्दर लिखित में दी जाए ताकि हम आवश्यक सुधार कर सकें, जिसके लिए रिपोर्ट की सभी प्रतियाँ वापस की जाय । कृपया ध्यान दिया जाए कि इस दिनांक के बाद मिलने वाले निवेदन पर विचार नहीं किया जाएगा ।

Discrepancies in this report must be brought to our notice in writing within 45 days of the date of issue of this report for effecting necessary corrections for which all the copies of report must be returned please note that request received beyond this date will not be entertained.

धन्यवाद / Thanking You,

भवदीय / Yours faithfully,

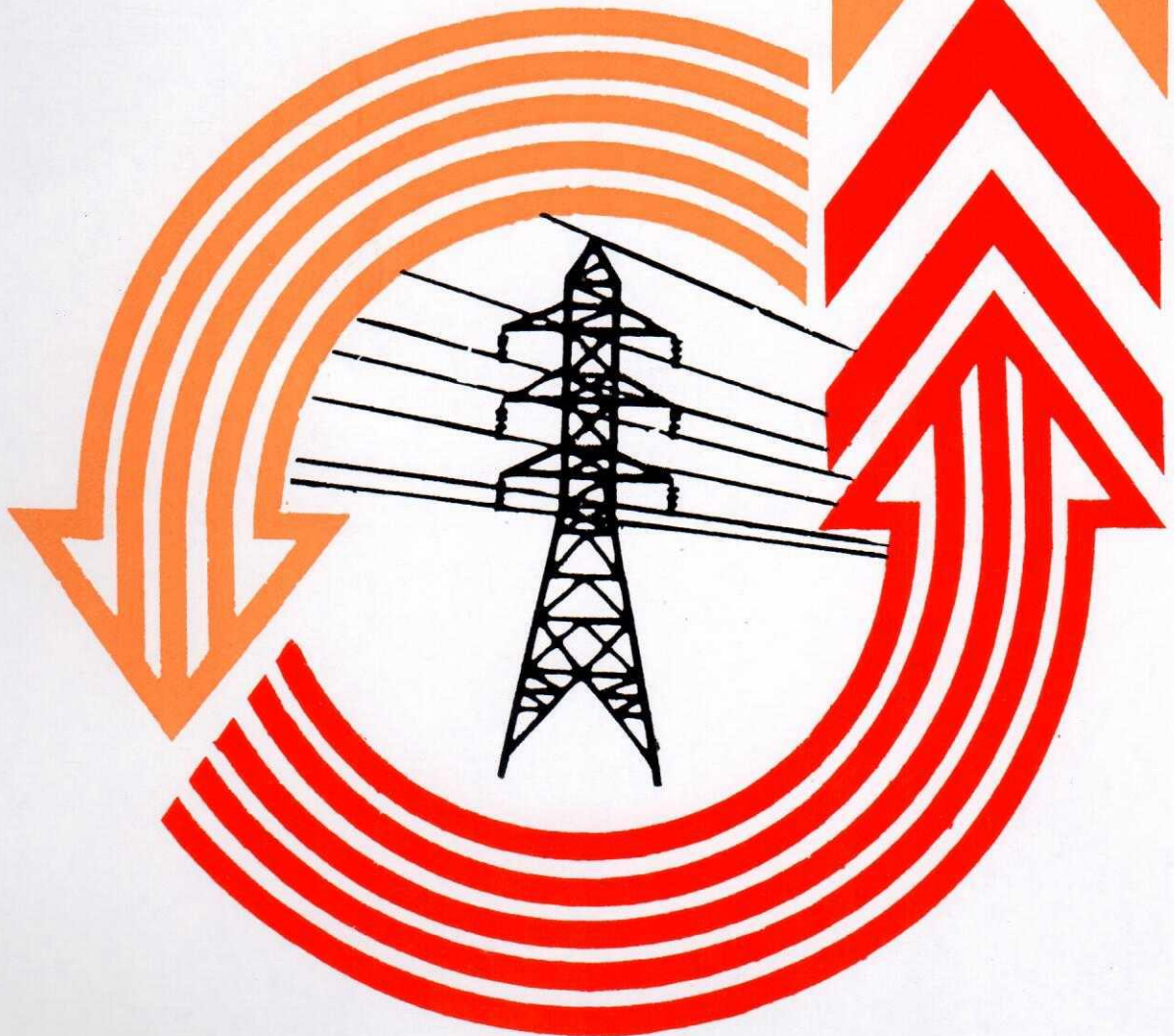


अभियांत्रिकी अधिकारी ग्रेड-4 एसटीएल
Engineering Officer Gr-4, STL

सी पी आर आई
भारत

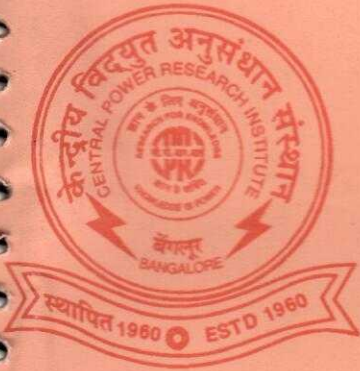
**CPRI
INDIA**

परीक्षण रिपोर्ट
TEST REPORT





परीक्षण रिपोर्ट TEST REPORT



केन्द्रीय विद्युत अनुसंधान संस्थान

(विद्युत मंत्रालय, भारत सरकार के अधीन एक स्वायत्त सोसायटी)

CENTRAL POWER RESEARCH INSTITUTE

(An Autonomous Society under the Ministry of Power, Govt. of India)

एस टी एल के सदस्य

Member of STL

स्विचगियर परीक्षण तथा विकास केन्द्र

SWITCHGEAR TESTING & DEVELOPMENT STATION

गोविन्दपुरा, भोपाल - 462 023

GOVINDPURA, BHOPAL - 462 023

फोन • 91 (0) 755 2586682 फैक्स • 91 (0) 755-2587774

Phone • 91 (0) 755 2586682 Fax • 91 (0) 755-2587774

**CENTRAL POWER RESEARCH INSTITUTE
(Member of STL)**



CPRI

TEST REPORT

Test Report No. : 2015/STL/1684 Dated : **25 MAY 2016**

Name and Address of the Customer : M/s Pradip Powertech (P) Ltd.,
12, General Bank Chamber, Opp. Municipal Market,
C.G. Road, Navrangpura, Ahmedabad – 380 009

Name and Address of the Manufacturer : M/s Pradip Powertech (P) Ltd.,
Block Sr. No. 178/186/187/A, Ajanta Estate,
Iyava Vasna, Sanand, Ahmedabad

Particulars of Sample(s) Tested : 33kV, 1250A, Switchboard

Condition of sample(s) on receipt : New
Type : Indoor H.T. Panel
Designation : NIL
Serial Number(s) : NIL
Number of Sample(s) Tested : One
CPRI sample code number(s) : STDSST215S1100
Sealing of the sample, if any : No

Particulars of test(s) conducted : High voltage dry power frequency withstand test.

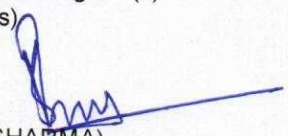
Date(s) of Test(s) : 23/12/2015
Test(s) in accordance with Standard/specification : CI. 6.2.6.1 of IEC : 62271-200, 2011
Sample Plan : NIL
Customer's Requirement : NIL
Deviations, if any : NIL

Name of the witnessing persons

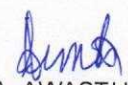
Customer's Representatives : 1) Mr. Dipak Varma
2) Mr. Rakesh
Other than Customer's Representatives : NIL
Test subcontracted with name and address of the laboratory : NONE

Documents constituting this report (in words)

No. of Sheet(s) : FIVE
No. of Oscillogram(s) : NIL
No. of Graph(s) : NIL
No. of Photograph(s) : NIL
No. of Test Circuit Diagram(s) : NIL
No. of drawing(s) : TWO


(BHAGIRATH SHARMA)
TEST ENGINEER




(A. AWASTHI)
JOINT DIRECTOR

SWITCHGEAR TESTING & DEVELOPMENT STATION
GOVINDPURA, BHOPAL 462023
Phone : +91(0)755 2586682 Fax : +91(0)755 2587774

CENTRAL POWER RESEARCH INSTITUTE
(Member of STL)



CPRI

TEST REPORT

Test Report Number: 2015/STL/1684

Date: 25 MAY 2016

SUMMARY OF TEST

1. Test conducted : High voltage dry power frequency withstand test.
2. Rating for which tested : 70 kVrms for 1 minute
3. DOCUMENTS CONSTITUTING THIS REPORT :
 - 3.1 Supplementary test report : NIL
 - 3.2 Oscillogram No(s) : NIL
 - 3.3 Drawing of the equipment tested : 1) 3 PPPL – 3331 – 5 sheet 1/2 Rev 1
2) 3 PPPL – 3331 – 5 sheet 2/2 Rev 1
 - 3.4 Test circuit drawing No(s). : NIL
 - 3.5 Photograph No(s). : NIL


(BHAGIRATH SHARMA)
TEST ENGINEER

CENTRAL POWER RESEARCH INSTITUTE
(Member of STL)



CPRI

TEST REPORT

Test Report Number: 2015/STL/1684

Date: 25 MAY 2016

DESCRIPTION OF THE SAMPLE TESTED
(As assigned by the manufacturer)

Sample	:	Switchboard
Rated voltage (kV)	:	33
Rated current (Amps)	:	1250
Frequency (Hz)	:	50
Insulation level (kVrms / kVp)	:	70/-
No. of phases	:	Three
No. of poles	:	-
Contacts terminal material	:	-
Isolating distance (mm)	:	-
Phase to earth distance (mm)	:	-
Creepage distance (mm)	:	-
Tripping current (mm)	:	-
Dimensions of the sample	:	As per drawing
Rated short time current (kArms / kApk)	:	31.5 for 1 second with initial peak of 78.75


(BHAGIRATH SHARMA)
TEST ENGINEER

**CENTRAL POWER RESEARCH INSTITUTE
(Member of STL)**



CPRI

TEST REPORT

Test Report Number: 2015/STL/1684

Date: 25 MAY 2016

SCHEDULE OF TESTS

Type of Test : High voltage dry power frequency withstand test.

Atmospheric conditions:

Ambient temp(degC)	Dry bulb Temp(degC)	Wet bulb temp(degC)	Atm Pressure(Hg-mm)
19	19	14	717

Atmospheric correction factor : 1.0

Description of tests : As per standard.

Application No.	Description of test	Test voltage (kVrms) for 1 minute
1 st application	3 Phase Busbar Switchbaord, test on Rph (YBF earthed)	70.0
2 nd application	3 Phase Busbar Switchbaord, test on Yph (RBF earthed)	70.0
3 rd application	3 Phase Busbar Switchbaord, test on Bph (RYF earthed)	70.0

Total no. of shots : 3

Observations : No flashover or puncture was noticed during the test.

Conclusion : The test results indicate that the sample tested complies with the requirement of the Cl. 6.2.6.1 of IEC : 62271-200, 2011.


(BHAGIRATH SHARMA)
TEST ENGINEER

CENTRAL POWER RESEARCH INSTITUTE
(Member of STL)



CPRI

TEST REPORT

Test Report Number: 2015/STL/1684

Date: 25 MAY 2016

NOTE

- The Test results relate only to the item(s) tested.
- Publication or reproduction of the test report /Certificate in any form other than by complete set of the whole test report /Certificate and in the language written is not permitted without the written consent of CPRI.
- Any Corrections/erasure invalidates the test Report/Certificate.
- NABL has Accredited this laboratory as per ISO 17025-2005 standard, vide certificate no. T-0011 for the tests carried out.
- Any anomaly/discrepancy in the test report /Certificate should be brought to the notice of CPRI within 45 days from the date of issue.
- The verification of the sample drawings by CPRI is limited to dimensional checks only wherever possible.
- CPRI Issues two kinds of documents:

Test Report:

The test report is issued when the sample is tested for specific test required by the customer either in accordance with National/International standards or as per customer's requirements but no certification on the performance of the sample tested. The test report will contain the record of the values of test parameters as obtained during testing, the physical condition of the apparatus during testing, the physical condition of the apparatus during/after the test(s), copy(ies) of Oscillogram(s), record of supplementary test(s) if any conducted but no certification on the performance of the apparatus tested.

Test Certificate:

The test certificate is issued on request and payment of the prescribed charges only when the apparatus of particular type and rating has satisfactorily passed all the specified tests in compliance with condition stipulated in a published National/International Standards.

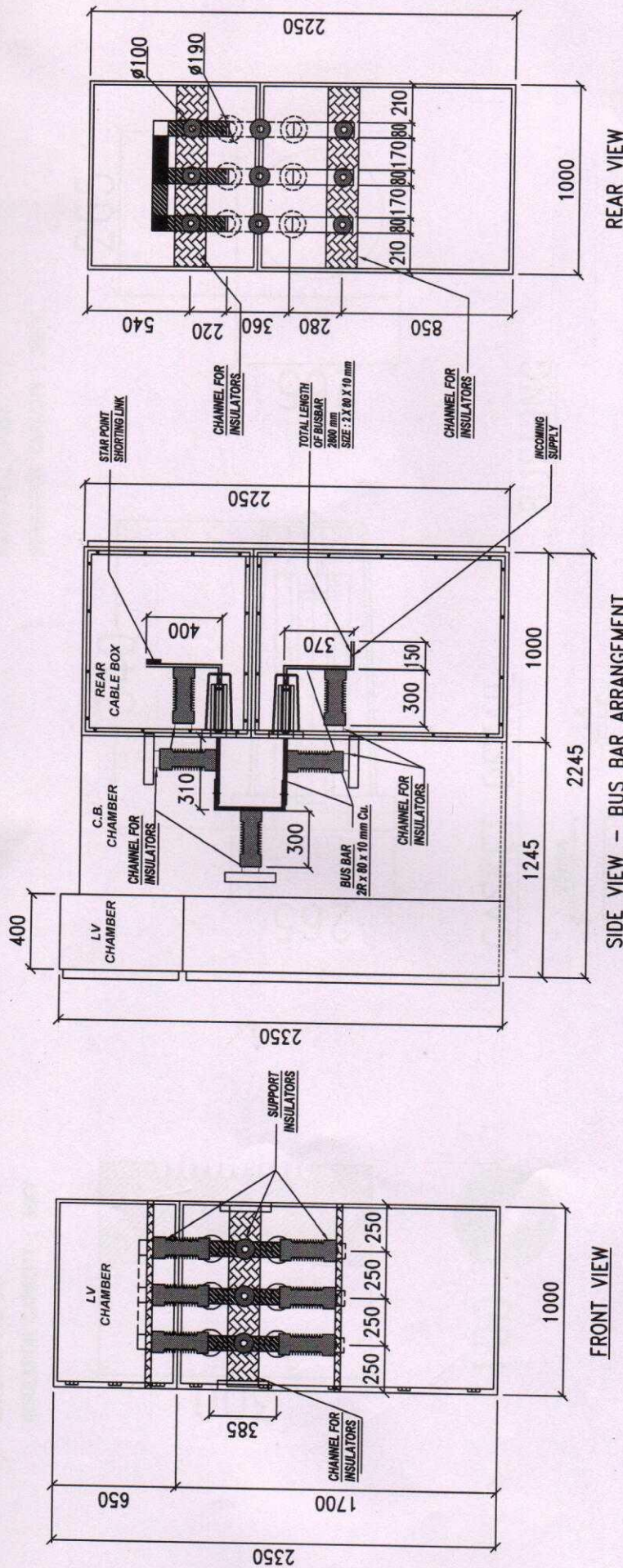
- All Documents constituting this test report/certificate are stitched together with a Continuous silk thread/silk ribbon, the two ends of which have been brought over the front sheet of this test report/certificate and sealed with a CPRI logo printed paper sticker/embossed.


(BHAGIRATH SHARMA)
TEST ENGINEER

SWITCHGEAR TESTING & DEVELOPMENT STATION
GOVINDPURA, BHOPAL 462023
Phone : +91(0)755 2586682 Fax : +91(0)755 2587774

Sheet 5 of 5

33kV, 1250A, SWITCHBOARD



FRONT VIEW

SIDE VIEW - BUS BAR ARRANGEMENT

REAR VIEW

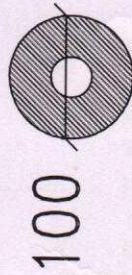
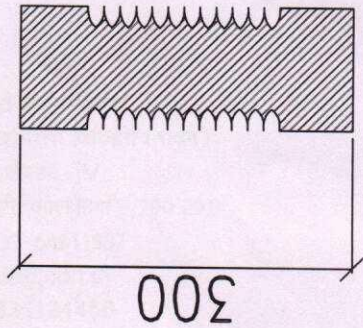
LOCATION OF THEMOCOUPLE

क.वि.अ.स. द्वारा इस रेखाचित्र का सत्यापन उस
 तक भी संभव है सिर्फ विनियम जांच तक सीमित है।
 The Verification of this Drawing by
 CPRI is Limited to Dimensional
 Check Only Wherever Possible.
 रस्तापत्र परीक्षण रिपोर्ट के
 Pertaining to Test Report No. 15151/1684
 Document
 अभियांत्रिकी अधिकारी
 Engineering Officer
 सी.पी.आर.आई. / C.P.
 अहमदाबाद / Bhop.

- GENERAL TOLERANCE ±2%
 - ALL DIMENSIONS ARE IN MM.

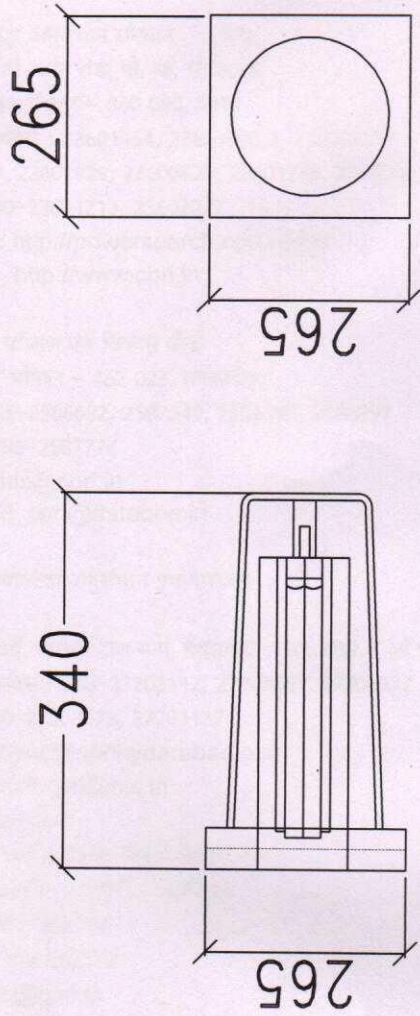
Year	2015	Refrence G.A. Drawing	PRADIP POWERTECH PVT. LTD. BLOCK/SR. NO.: 178/186/187, AJANTA ESTATE, SAMAND, AHMEDABAD.	Sales Ref. : PPPL_MV_CPRI_33KV Item No. : 100 Qty. : 1X	REV. NO.01
Remarks		Original/Replacement for/Replaced by :-			
Date					
Name					
Norm					
Issue	1				
	2				
	3				
	4				
	5				
	6				
	7				
	8				
	9				
	10				
	11				
	12				
	13				
	14				
	15				
	16				
	17				
	18				
	19				
	20				
	21				
	22				
	23				
	24				
	25				
	26				
	27				
	28				
	29				
	30				
	31				
	32				
	33				
	34				
	35				
	36				
	37				
	38				
	39				
	40				
	41				
	42				
	43				
	44				
	45				
	46				
	47				
	48				
	49				
	50				
	51				
	52				
	53				
	54				
	55				
	56				
	57				
	58				
	59				
	60				
	61				
	62				
	63				
	64				
	65				
	66				
	67				
	68				
	69				
	70				
	71				
	72				
	73				
	74				
	75				
	76				
	77				
	78				
	79				
	80				
	81				
	82				
	83				
	84				
	85				
	86				
	87				
	88				
	89				
	90				
	91				
	92				
	93				
	94				
	95				
	96				
	97				
	98				
	99				
	100				

MAKE : BARODA BUSHING
 MATERIAL : EPOXY
 INSULATION CAPACITY : 36KV

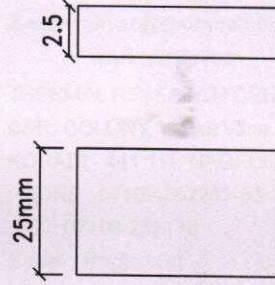


BUSBAR SUPPORT
INSULATOR

MAKE : BARODA BUSHING
 MATERIAL : EPOXY
 INSULATION CAPACITY : 36KV



GASKET DETAIL



MATERIAL RUBBER

BUSHING

क.वि.अ.स. द्वारा इस स्थापना का संस्थापक जोडा तक भी संभव है सिर्फ विमीय जांच तक सीमित है।
 The Verification of this Drawing by CPRI is Limited to Dimensional Check Only Wherever Possible.
 वरसावेज परिसर रिपोर्ट नं. CPRI/ST/1624
 Pertaining to Test Report No. CPRI/ST/1624

अभियंतृकी अधिकारी
 Engineering Officer
 सी.पी.आर.आई. / C.P.R.I.
 भोपाल / Bhopal

- GENERAL TOLERANCE ±2%
 - ALL DIMENSIONS ARE IN MM.

Year	2015	Reference G.A. Drawing	PRADIP POWERTECH PVT. LTD. BLOCK/SR. NO.: 178/186/187, AJANTA ESTATE, SANAND, AHMEDABAD.	Descr : 33KV, 1250A, H.T. SWITCHBOARD Type : 33KV - PPPL - 8BK8 Details : Front View & P. F. Plan	Sales Ref. : PPPL_MV_CPRI_33KV Item No. : 100 Qty. : 1X	REV. NO.01	REV. NO.01
Remarks	Date	Home Norm	Original/Replacement for/Replaced by :-				
Issue							

सी पी आर आई संगठन

केन्द्रीय विद्युत अनुसंधान संस्थान
प्रो. सर सी.वी. रमन रोड, पो. बा. सं. 8066
सदाशिवनगर, बंगलूर - 560 080, भारत
ई पी ए बी एक्स : 23601454, 23601905, 2, 23600921
23602919, 23602829, 23600825, 23601258, 23602061
फैक्स : 080-23601213, 23602277
वेब साइट : <http://powersearch.cpri.res.in>
<http://www.cpri.in>

स्विचगियर परीक्षण एवं विकास केन्द्र
गोविन्दपुरा, भोपाल - 462 023. मध्यप्रदेश
फोन : 0755-2586682, 2587349, 2586343, 2586997
फैक्स : 0755-2587774
ई-मेल : stds@cpri.in
ad_cpri@dataone.in

अति उच्च वोल्टता अनुसंधान प्रयोगशाला
पो.बा.सं. 9
उपल पो. ऑ. वारंगल राज मार्ग, हैदराबाद - 500 039. (ऑ.प्र.)
ई पी ए बी एक्स : 040-27203112, 27208067, 27203622
फैक्स : 040-27203378, 27201127
ई-मेल : uhvac@cprihyderabad.com
uhvrl.cpri@nic.in

ताप अनुसंधान केन्द्र
सी पी आर आई कॉलोनी, विद्युत विहार
कोराडी - 441 111 नागपुर (महाराष्ट्र)
फोन : 07109-262170
फैक्स : 07109-262170
ई-मेल : trc@cpri.in

क्षेत्रीय परीक्षण प्रयोगशाला
3-ए, इंस्टीट्यूशनल एरिया,
सेक्टर - 62, नोएडा - 201 309 (उ.प्र.)
फोन : 0120-2402823, 2402058
फैक्स : 0120- 2402824
ई-मेल : rtlnoida@cpri.in

क्षेत्रीय परीक्षण प्रयोगशाला
प्रथम तल सी टी डी कार्यशाला
WBSEB, अभिक्षण बिल्डिंग (भवन)
बी एन ब्लॉक, सेक्टर - V
साल्ट लेक सिटी, कोलकाता - 700 091
टेलीफैक्स : 033-64511887
ई-मेल : maiti@cpri.in
मोबाइल : 9831124456

क्षेत्रीय परीक्षण प्रयोगशाला
क्र. 4. टाइप 111 (पुराना ए टी)
ए.एस.ई.बी. कॉलोनी, नारंगी
गोवाहाटी - 781 026 (असम)
टेलीफैक्स : 0361-2650299
फोन : 98647 16561
ई-मेल : gk@cpri.in, rtlg@cpri.in

CPRI FORMATIONS

CENTRAL POWER RESEARCH INSTITUTE
PROF. SIR C.V. RAMAN ROAD, P.B. No. 8066
SADASHIVANAGAR, BANGALORE - 560 080 INDIA
EPABX : 23601454, 23601905, 23600921
23602919, 23602829, 23600825, 23601258, 23602061
Fax : 080-23601213, 23602277
Website : <http://powersearch.cpri.res.in>
<http://www.cpri.in>

SWITCHGEAR TESTING & DEVELOPMENT STATION
GOVINDPURA, BHOPAL - 462 023 MADHYA PRADESH
PHONE : 0755-2586682, 2586343, 2586997
FAX : 0755-2587774
E-mail : stds@cpri.in
ad_cpri@dataone.in

ULTRA HIGH VOLTAGE RESEARCH LABORATORY
P.B. NO. 9, UPPAL P.O. WARANGAL HIGHWAY
HYDERABAD - 500 039 (A.P.)
EPABX : 040-27203112, 27208067, 27203622
FAX : 040-27203378, 27201127
E-mail : uhvac@cprihyderabad.com
uhvrl.cpri@nic.in

THERMAL RESEARCH CENTRE
CPRI COLONY, Vidyut Vihar
KORADI - 441 111, NAGPUR (MAHARASHTRA)
PHONE : 07109-262251-53
FAX : 07109-262170
E-mail : trc@cpri.in

REGIONAL TESTING LABORATORY
3-A, INSTITUTIONAL AREA
SECTOR 62, NOIDA - 201 309 (U.P.)
PHONE : 0120-2402823, 2402058
FAX : 0120-2402824
E-mail : rtlnoida@cpri.in

REGIONAL TESTING LABORATORY
1st FLOOR, CTD WORKSHOP
WBSEB, ABHIKSHAN BUILDING,
'BN' BLOCK, SECTOR-V,
SALT LAKE CITY, KOLKATA - 700 091
TELEFAX : 033-64511887
E-mail : maiti@cpri.in
Mobile : 9831124456

REGIONAL TESTING LABORATORY
NO.4, TYPE III (OLD A.T.)
A.S.E.B. COLONY, NARANGI
GUWAHATI - 781 026 (ASSAM)
TELEFAX : 361-2650299
TELEPHONE (M) : 98647 16561
Email : gk@cpri.in, rtlg@cpri.in



केन्द्रीय विद्युत अनुसंधान संस्थान

(विद्युत मंत्रालय, भारत सरकार के अधीन एक स्वायत्त सोसायटी)

Central Power Research Institute

(An Autonomous Society under the Ministry of Power, Govt. of India)

स्विचगियर परीक्षण तथा विकास केन्द्र

Switchgear Testing & Development Station

गोविन्दपुरा, भोपाल - 462 023

Govindpura, Bhopal - 462 023

फोन : 2586682 (यूनिट हेड) 2586997 (स्टेशन-I)

Phone : 2586682 (UNIT HEAD) 2586997 (STN-I)

2586343 (स्टेशन-II) 2586944 (सप्लीमेन्ट्री प्रयोगशाला)

2586343 (STN-II) 2586944 (SUPP. LAB.)

फैक्स : 0755-2587774 ग्राम : POWERRESEARCH

Fax : 0755-2587774 Grams : POWERRESEARCH

ई-मेल : stds@cpri.in, ad_cpri@dataone.in

E-mail.: stds@cpri.in, ad_cpri@dataone.in

वेबसाइट : <http://cpri.in>

Website : <http://cpri.in>